

Type SR-500  
Surge-Suppression Resistors  
For use on vertical break disconnect switches

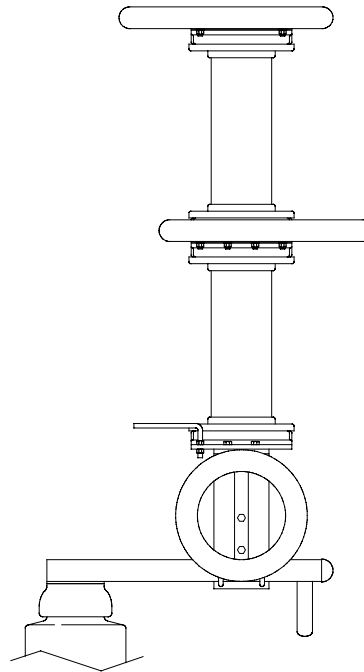
Bulletin #6000  
8/2006

# pascor

**PASCOR Type SR-500  
Surge-Suppression  
Resistors**

**PASCOR** offers surge-suppression resistors for applications on 138kV, 230kV, 345kV and 500kV vertical break disconnect switches with one, two, three, or four modules respectively.

**PASCOR's** modular resistor primary objective is to limit surge currents and transient voltage when switching transformers.



**Features:** Resistors are static, oil-less and maintenance free. The resistor elements, are non-inductive ceramic carbon blocks. Resistor housing is a flanged fiberglass tube with bolt-on aluminum end plates. They can be adapted to any manufacturer's vertical break disconnect switch. Modules are pressurized at the factory with dry nitrogen, no field filling is required. Resistor assembly is easy to install.

**Advantages:** In the closing process, the current inrush is reduced dramatically. In the opening process, there can be high over voltage when the de-energization takes place, and with resistors this can be dampened dramatically. The opening and closing processes are dampened which may prolong transformer life. An important application is for switching platform charging current in 500kV series capacitor banks.

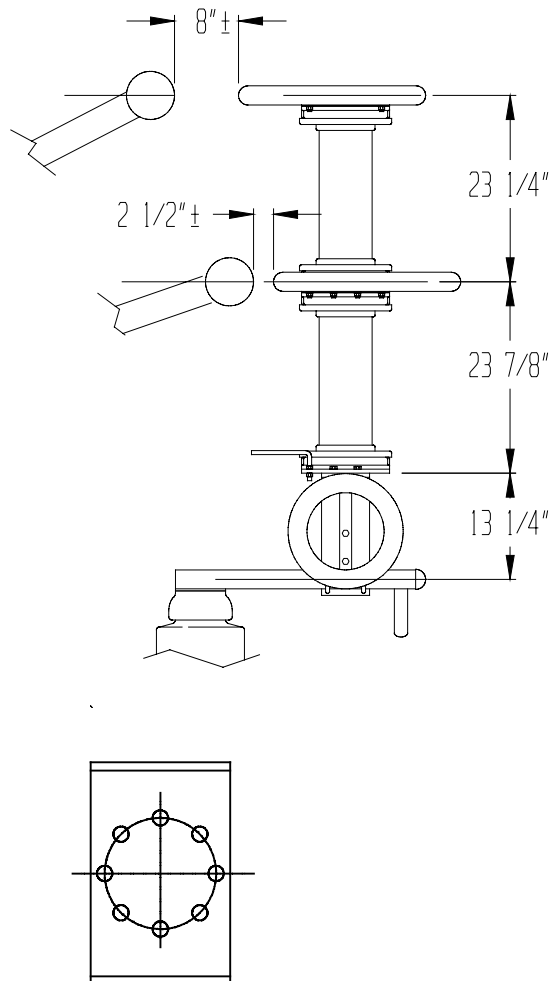
**Pacific Air Switch Corporation**

P.O. Box 328 , 2615 23<sup>rd</sup> Avenue, Forest Grove, OR 97116, (503) 359-3939, Fax: (503) 357-0858

# 500kV Surge – Suppression Resistors

**pascor**

Bulletin #6000  
8/2006



## RATINGS (per module)

Mechanical	
Cantilever	400 lbs
Weight	60 lbs
Height	23 in.
Electrical	
Withstand	
Wet (+)	286kV
Dry (-)	340kV
Energy absorption	120kJ
Resistance	500ohms
Thermal	
Temp. Limit	120°C

(8) 11/16 HOLES ON 5" B.C.

- Corona rings atop each resistor stack are adjusted according to the switch blade swing.
- Resistors convert electrical energy to heat energy.
- Each assembly is rated at 120Kjoules.
- Thermal capacity is 120°C absolute.
- The typical amount of energy available at interruption on a 900MVA transformer known to have 5.8A magnetizing current is only 67.3kJ.
- The resistor has ample capacity for this extreme duty.

**Pacific Air Switch Corporation**

P.O. Box 328 , 2615 23<sup>rd</sup> Avenue, Forest Grove, OR 97116, (503) 359-3939, Fax: (503) 357-0858